



SER3218 3220 3222 3225 SERIES



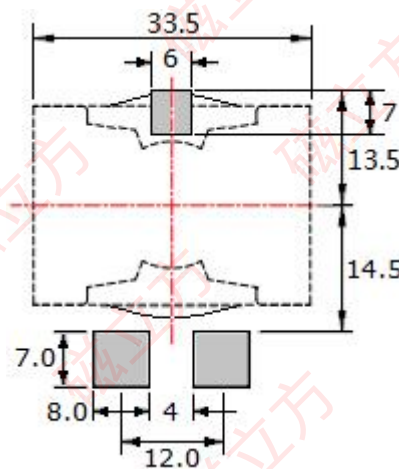
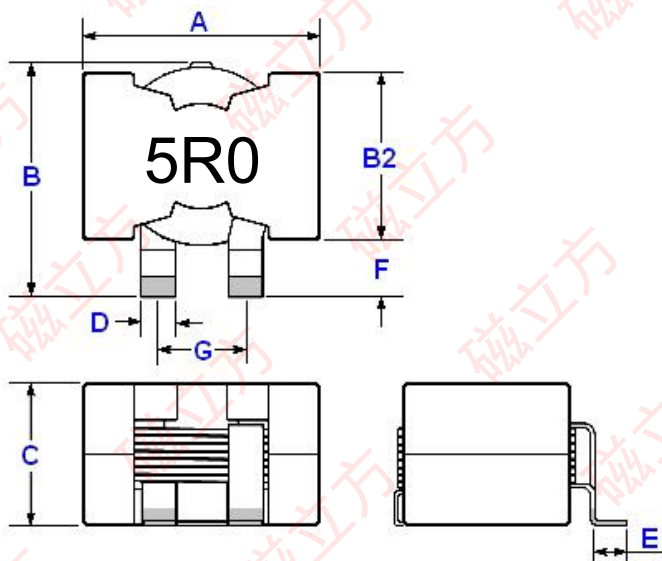
Product description:

1. Assemblage design, sturdy structure.
2. High inductance, high current, low magnetic loss, low ERS, small parasitic capacitance.
3. Flat wire winding, achieve a low DCR.
4. Temperature rise current and saturation current is less influenced by environment.
5. Operating temperature:  $-25^{\circ}\text{C} \sim 125^{\circ}\text{C}$ .
6. Placement form is DIP.

Explanation of part numbers

1 2 3 <b>S E R</b>	4 5 6 7 <b>3 2 1 8</b>	8 <b>T</b>	-	9 10 11 <b>4 R 7</b>	12 <b>M</b>
<u>Series Codes</u>	<u>Size Codes</u>	<u>Pin No. 3</u>		<u>Inductance Codes</u>	<u>Tolerance</u>

Boundary dimension (unit: mm)



PCB Layout

Series P/N	A	B	C	D	E	F	G
SER3218	33.5 Max	30.8±1.0	18.8 Max	6.0±0.3	4.0±1.0	6.7 Ref.	12.0±1.0
SER3220	33.5 Max	30.8±1.0	20.5Max	6.0±0.3	4.0±1.0	6.7 Ref.	12.0±1.0
SER3222	33.5 Max	30.8±1.0	22.5Max	6.0±0.3	4.0±1.0	6.7 Ref.	12.0±1.0
SER3225	33.5 Max	30.8±1.0	25.5Max	6.0±0.3	4.0±1.0	6.7 Ref.	12.0±1.0



### SER3218 3220 3222 3225 SERIES

产品特性和尺寸可以根据需求做调整；其他尺寸和感值如有需求请联系我们。规格可能会做调整不再另行通知，请联系我们业务取得最新的资讯。

**Electrical Characteristics: TEST CONDITION: AT 25°C, 100KHz / 0.1V**

Part No.	Lo(0A) (μH)±20%	Irms(A) Type.	Isat(A) Type.	DCR(mΩ) Type.	DCR(mΩ) Max.	Material	Placement form	Coating core
SER3218T-3R3M	3.3	45	70	1.3	1.45	MnZn	SMT	可选
SER3218T-4R7M	4.7	45	65	1.3	1.45	MnZn	SMT	可选
SER3218T-5R0M	5.0	45	60	1.3	1.45	MnZn	SMT	可选
SER3218T-6R0M	6.0	45	55	1.3	1.45	MnZn	SMT	可选
SER3218T-6R8M	6.8	45	50	1.3	1.45	MnZn	SMT	可选
SER3220T-1R5M	1.5	80	120	0.5	0.6	MnZn	SMT	可选
SER3222T-100M	10.0	45	48	2.7	3.0	MnZn	SMT	可选
SER3222T-150M	15.0	45	44	2.7	3.0	MnZn	SMT	可选
SER3225T-100M	10.0	47	50	2.3	2.55	MnZn	SMT	可选

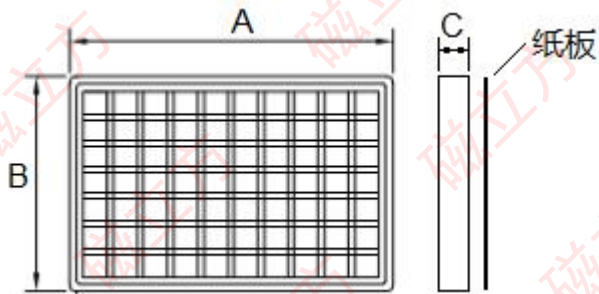
**NOTE:**

- All test data is referenced to 25°C ambient.
- Irms: DC current(A) that will cause an approximate ΔT of 40°C.
- Isat: DC current(A) that will cause Lo to drop approximate 30%.
- Operating temperature range is -25°C to 125°C.
- The part temperature(ambient and temp rise) should not exceed 125°C under worse case operating conditions. Circuit design, component placement, PWB trace size and thickness, airflow and other cooling provision all affect the part temperature. Part temperature should be verified in the end application.



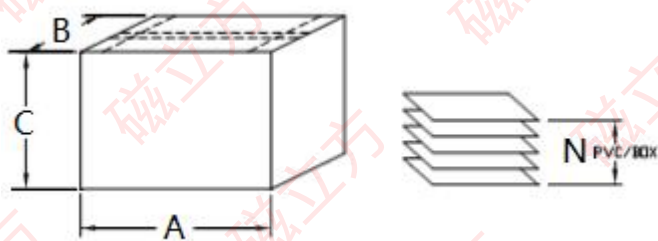
### SER3218 3220 3222 3225 SERIES

#### PACKING INFORMATION



PET 盘规格: 322\*202\*28mm。

TYPE	QTY (Pcs/PET)	A(Ref.)	B(Ref.)	C(Ref.)
SER3218	28	322	202	28
SER3220	28			
SER3222	28			
SER3225	28			



外箱规格: 340\*215\*220mm, 7PET 盘装一箱, 一箱装 196 个。

Series	QTY (Pcs/Box)	A(Ref.)	B(Ref.)	C(Ref.)
SER3218	196 Ref.	340	215	220
SER3220	196 Ref.	340	215	220
SER3222	196 Ref.	340	215	220
SER3225	196 Ref.	340	215	220