



SER2014 SERIES



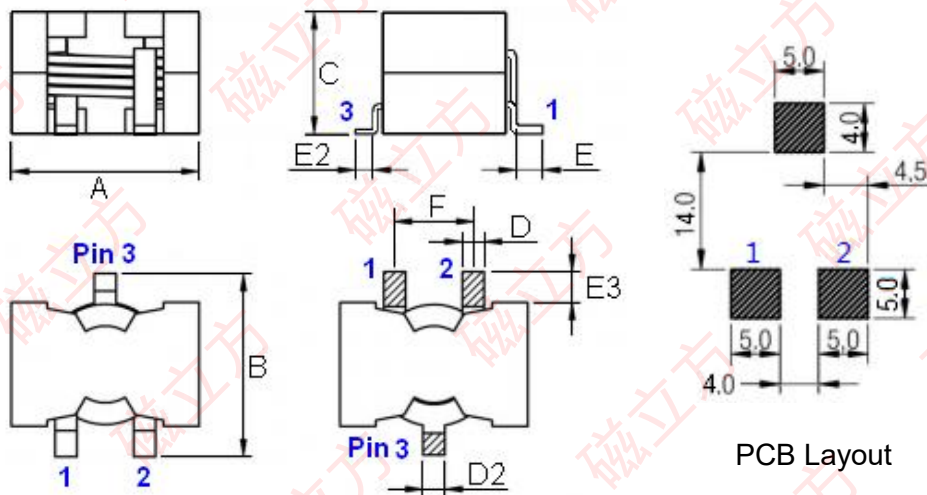
Product description:

1. Assemblage design, sturdy structure.
2. High inductance, high current, low magnetic loss, low ERS, small parasitic capacitance.
3. Flat wire winding, achieve a low DCR.
4. Temperature rise current and saturation current is less influenced by environment.
5. Operating temperature: $-25^{\circ}\text{C} \sim 125^{\circ}\text{C}$.
6. Placement form is SMD.

Explanation of part numbers

1 2 3 SER	4 5 6 7 2014	8 T	-	9 10 11 4R2	12 M	13 C*1
<u>Series Codes</u>	<u>Size Codes</u>	<u>Pin No. 3</u>		<u>Inductance Codes</u>	<u>Tolerance</u>	<u>Coating</u>

Boundary dimension (unit: mm)



PCB Layout

A	B	C	D	D2	E	E2	E3	F
21.8 Max	21.5--22.5Max	14.5 Max	2.5±0.2	2.5 Ref.	3.0±1.0	2.0 Ref.	2.5-5.5	9.0±0.5

Note: *1: Customers can order products for coated core.



SER2014 SERIES

Electrical Characteristics:

Part No.	Lo(0A) (μ H) \pm 20%	Irms(A) Type.	Isat(A) Type.	DCR(m Ω) Type.	DCR(m Ω) Max.	Material	Size B (mm)	Coating core
SER2014T-R70M	0.7	32	75	0.86	0.95	MnZn	22.5	selectable
SER2014T-1R4M	1.4	31.5	60	1.08	1.2	MnZn		selectable
SER2014T-2R2M	2.2	28	52	1.50	1.65	MnZn		selectable
SER2014T-3R1M *SER2014T-3R3M*	3.1 3.3	26	45 40	2.09	2.3	MnZn		selectable
SER2014T-4R2M *SER2014T-4R7M*	4.2 4.7	24	38 32	3.04	3.35	MnZn		selectable
SER2014T-5R5M	5.5	22	33	4.0	4.4	MnZn	21.5	selectable
SER2014T-6R8M	6.8	21	30	5.65	6.2	MnZn		selectable
SER2014T-7R0M	7.0		30					selectable
SER2014T-8R6M	8.6	17	25	7.2	7.95	MnZn		selectable
SER2014T-100M	10	16	23	7.95	8.75	MnZn		selectable
SER2014T-150M	15	14	21	8.7	9.6	MnZn		selectable
SER2014T-220M	22	12.5	15	10.65	11.75	MnZn		selectable
SER2014T-330M	33	12	11	11.4	12.6	MnZn		selectable
SER2014T-470M	47	11	8.5	12.2	13.5	MnZn	selectable	

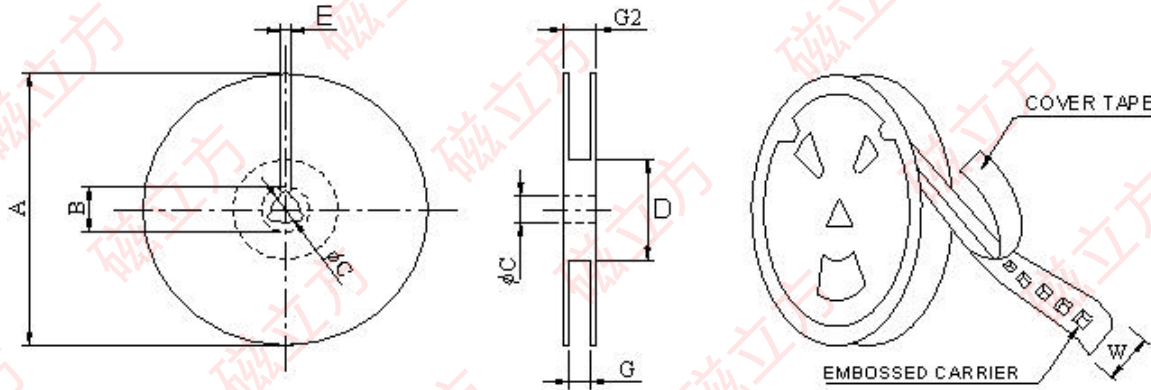
NOTE:

- All test data is referenced to 25°C ambient. TEST CONDITION: At 25°C, 100KHz / 0.1V.
- Irms: DC current(A) that will cause an approximate Δ T of 40°C.
- Isat: DC current(A) that will cause Lo to drop approximate 30%.
- Operating temperature range is -25°C to 125°C.
- The part temperature(ambient and temp rise) should not exceed 125°C under worse case operating conditions. Circuit design, component placement, PWB trace size and thickness, airflow and other cooling provision all affect the part temperature. Part temperature should be verified in the end application.
- *P/N* is customer customized specifications.
- Rights of changing product's design and specification are reserved, without prior notice.



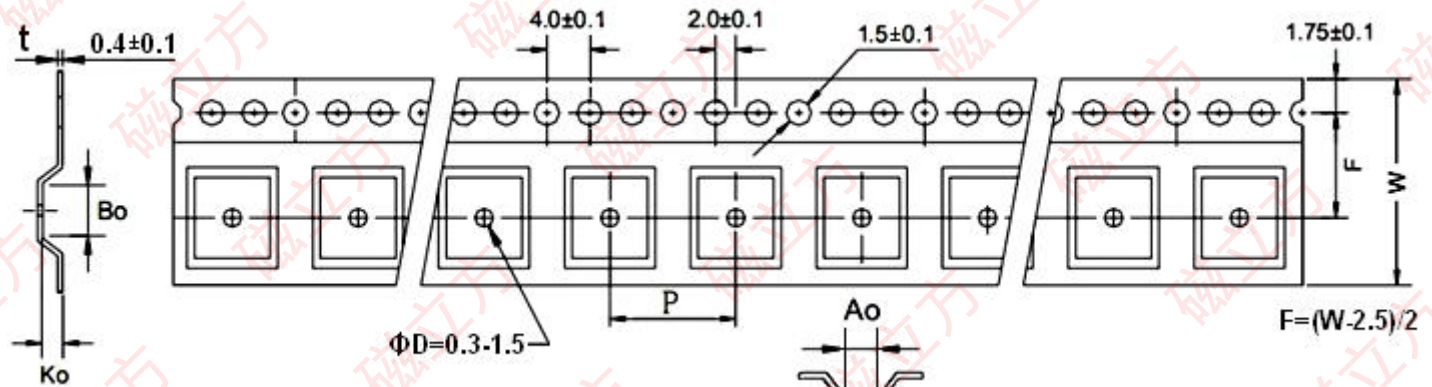
SER2014 SERIES

PACKING INFORMATION



*CARRIER TAPE WIDTH: W

TYPE	A(Ref.)	B(Ref.)	C(Ref.)	D(Ref.)	E(Ref.)	G(Ref.)	G2(Ref.)
13"*24mm	330±1	20±0.8	13±0.5	100±1	2.0±0.5	44.5±0.5	49±0.5



Series	QTY (Pcs/Reel)	Ao	Bo	Ko	W	P
SER2014	120 Ref.	24.5	21.5	17.5	44	32

Typical Pulling Force: 10-130 grams

